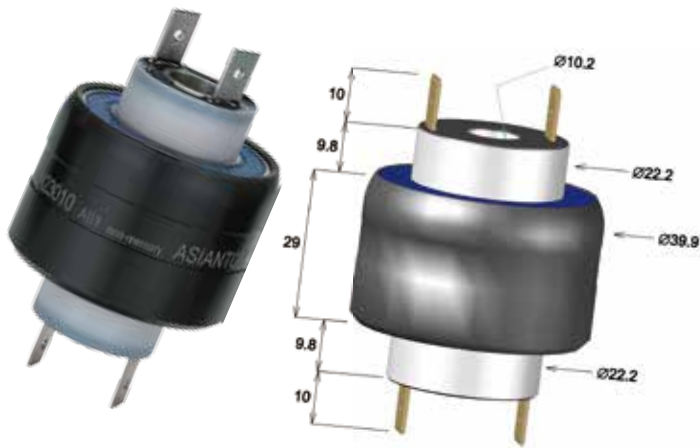
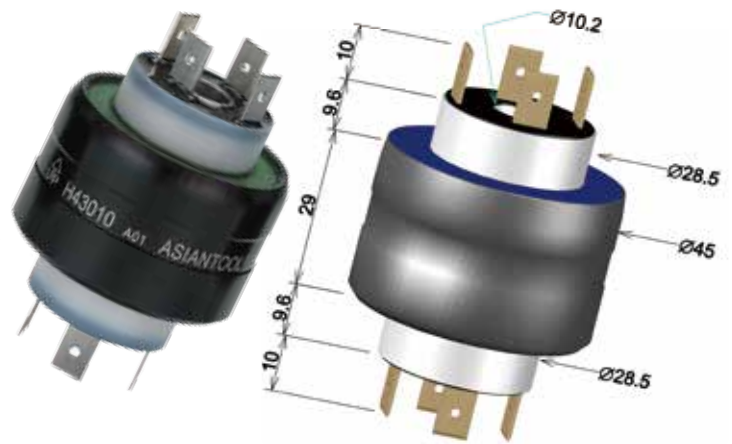




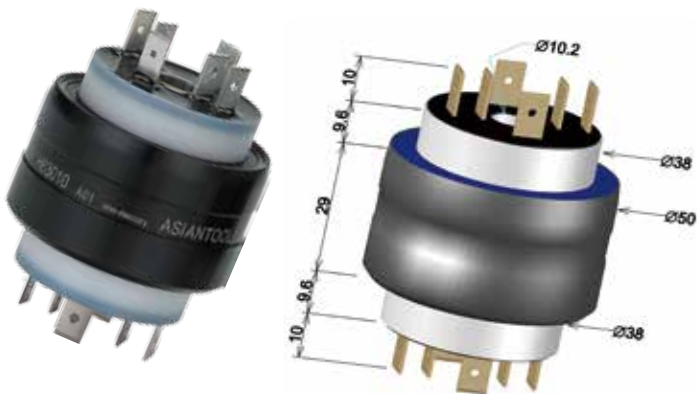
H23010 NM (non-mercury)
2poles/30A/AC250V
Through-bore:10.2mm



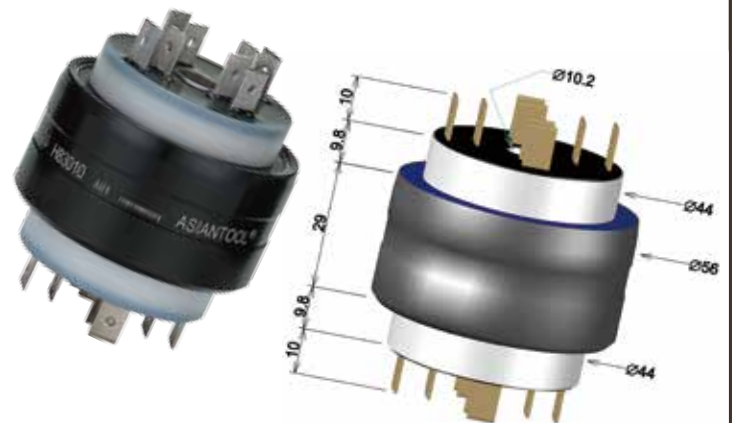
H43010 NM (non-mercury)
4poles/30A/AC250V
Through-bore:10.2mm



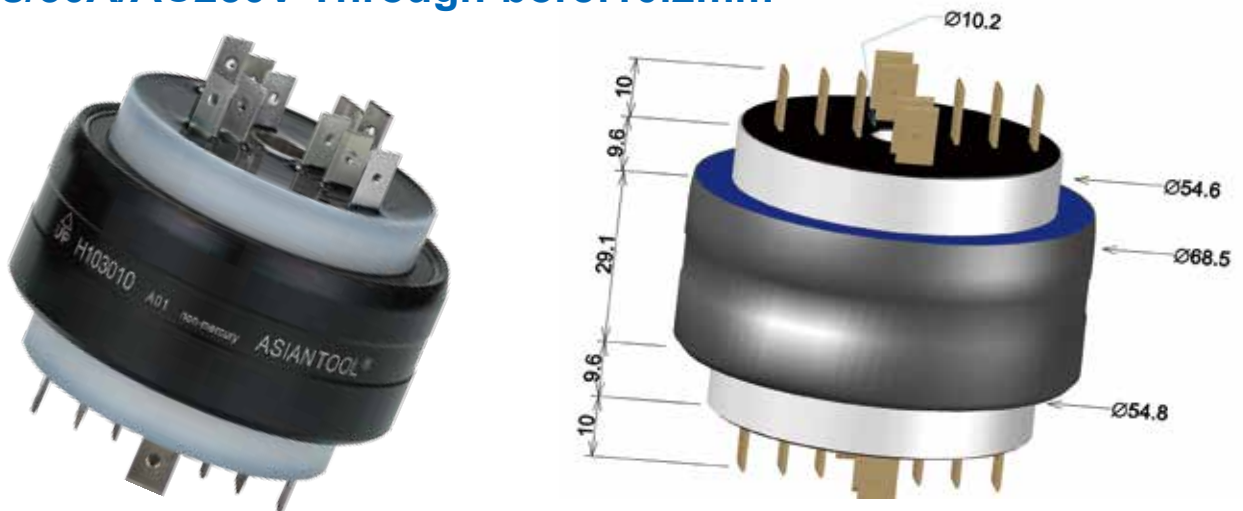
H63010 NM (non-mercury)
6poles/30A/AC250V
Through-bore:10.2mm



H83010 NM (non-mercury)
8poles/30A/AC250V
Through-bore:10.2mm



H103010NM (non-mercury)
10poles/30A/AC250V **Through-bore:10.2mm**



Boots Kit 保護套

- A4H-BK for A4H, A3H
- A6H-BK for A6H
- A8H-BK for A8H





Terminals & Shrink Tube 端子 & 熱縮套管

- SY28
- SR28
- SB63
- S63
- LB63
- LLB63
- LLB63C
- SK3



Notice 注意事項

- Not exceed the Max. temperature 60°C(140°F), room temperature + self heating. (rotate + electric connection)
- Vertical mounting and storage should keep the  in the up direction.
- Mounting into a shaft should keep no eccentricity.
- Do not solder on the connector and terminal.
- Connect the connector on the terminal only a few times, losing connection will cause heating when apply electric power.
- Vibration will cause service life shorter.
- The rotary connector can be mounted by the body or plastic collar but it can not carry mechanical loads. Another end should be conneted floating hold by electric wire.
- The uppers notice should be kept, otherwise it will cause the rotary connector failure or shorten service life.
- 使用溫度不超過60°C，周圍溫度+自體發熱（旋轉+通電）。
- 垂直方向安裝時，要保持標誌  向上，保存時亦需保持向上。
- 安裝旋轉連接器於軸心時不可偏心，裝上止扣螺絲時最好採用 3 點止扣方式。
- 不可對旋轉連接器本體或銅端子焊接加熱。
- 專用之連接端子不可重覆使用多次，鬆動後接觸不良而發熱。
- 旋轉體如振動會降低使用壽命。
- 此連接器可以鋁外殼或塑膠部份裝入軸心固定後，再以插入端子電線拉住轉動部即可，一頭固定於軸心，一頭浮拉於外固定部，但決不可以承受重量。
- 以上事項如不遵守會對旋轉連接器產生不同程度之損壞或降低使用壽命。

Non-mercury slip rings 非水銀滑環

CE RoHS compliance gallium alloy liquid metal rotary connectors

符合CE RoHS規範鎳合金液態金屬旋轉連接器

New



TEL:0755-33852999

Web: WWW.MOFLON.COM Email:sales@moflon.com